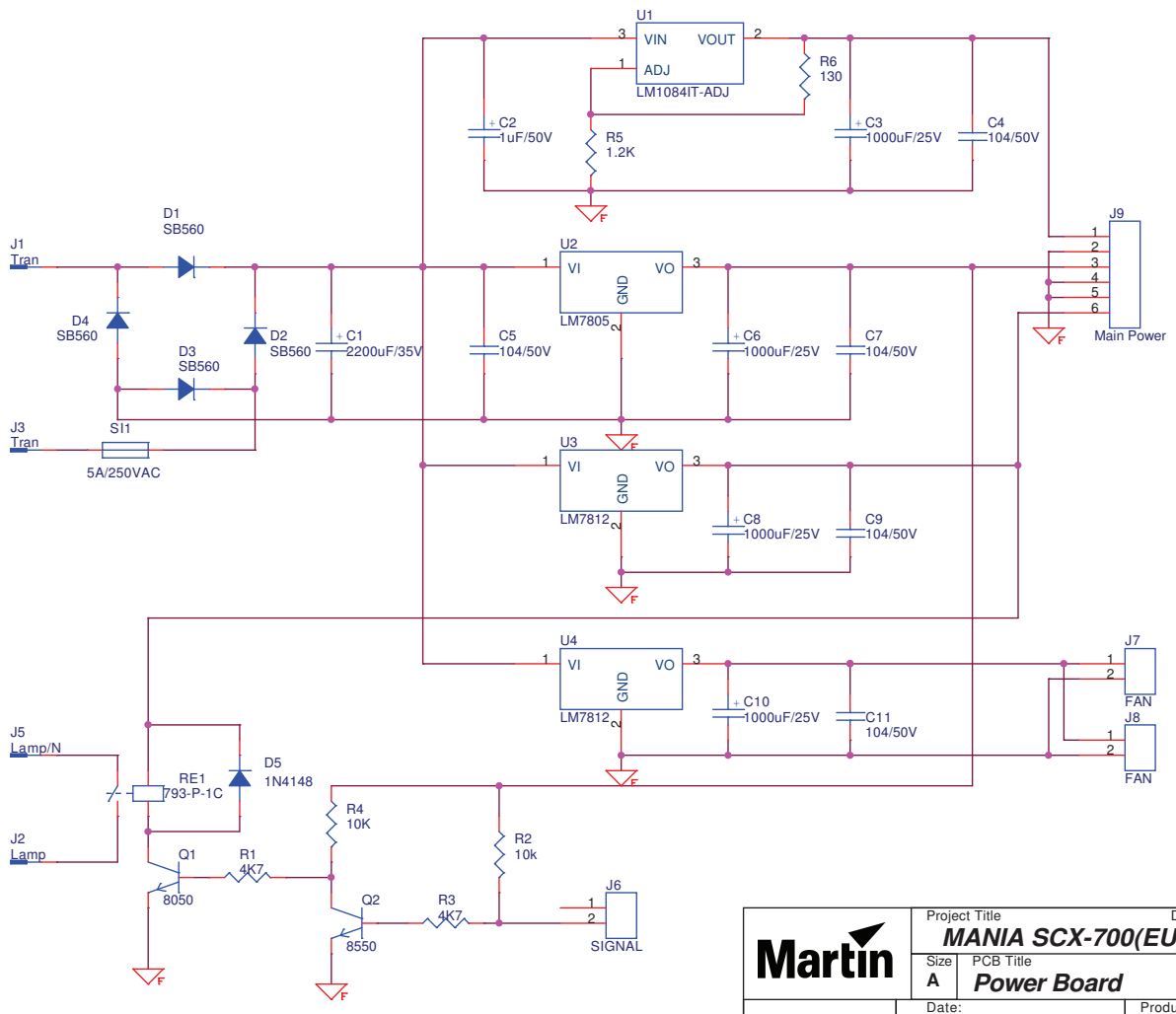


<b>Martin</b>	Project Title		Drawn By
	<b>MANIA SCX500</b>		<b>BS</b>
Size	PCB Title		Rev
<b>A</b>	<b>Display Board</b>		<b>B</b>
Date:		Product Baan Number	
Monday, March 05, 2007		62000506	
Sheet <b>1</b> of <b>1</b>			



<b>Martin</b>	Project Title		Drawn By	
	<b>MANIA SCX-700(EU)</b>		<b>BS</b>	
Size	PCB Title		Rev	
<b>A</b>	<b>Power Board</b>		<b>B</b>	
Date:		Product Baan Number		
Monday, September 12, 2005		62020076-B		
Sheet <b>1</b> of <b>1</b>				

